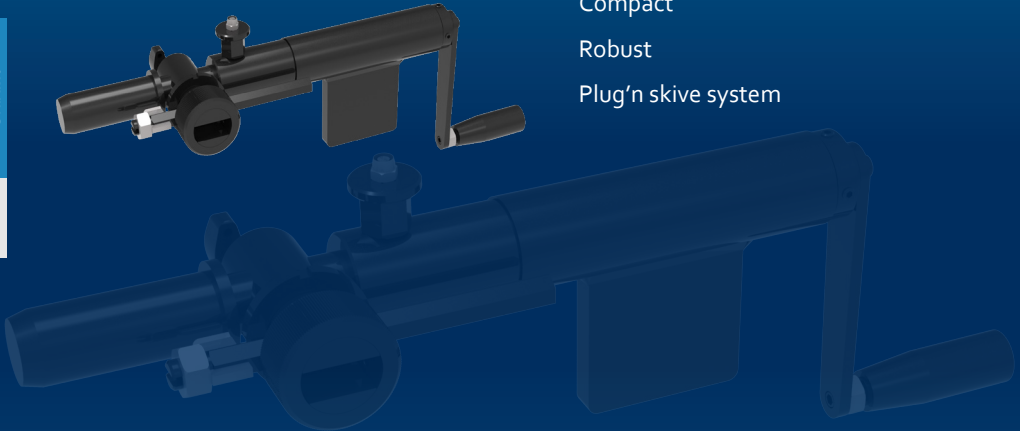


H SKIVE

FIELD SERVICE & MOBILE WORKSHOP
MANUAL, PORTABLE SKIVING TOOL

KEY FEATURES

- Portable, lightweight
- Economic
- Simple
- Compact
- Robust
- Plug'n skive system



SKIVING MACHINES 10

TECHNICAL SPECIFICATIONS

CAPACITY

2wb: 2" max.
4ws: 2" max.

DIMENSIONS

413 X 52 X 224 mm
(16 x 2 x 9")

NET WEIGHT

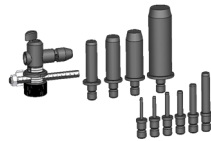
3 kg (7 lb)

TECHNICAL FEATURES

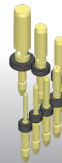
- Tool selection:
- External Skiving Kit (ESE) including 10 mandrels (6-8-10-13-16-19-25-32-38-50)
 - Internal Skiving Kit (IS) including 7 mandrels (13-16-19-25-32-38-50)

Internal skiving tools can also be ordered per diameter

OPTIONAL



Tool Kit ESE



Tool Kit IS